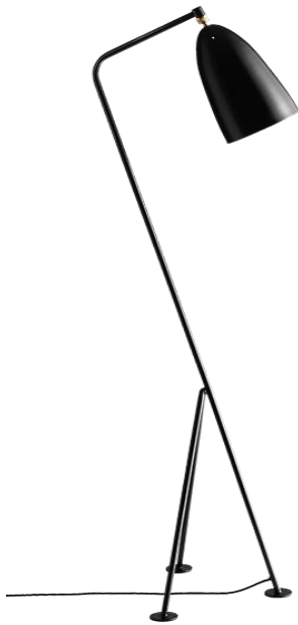
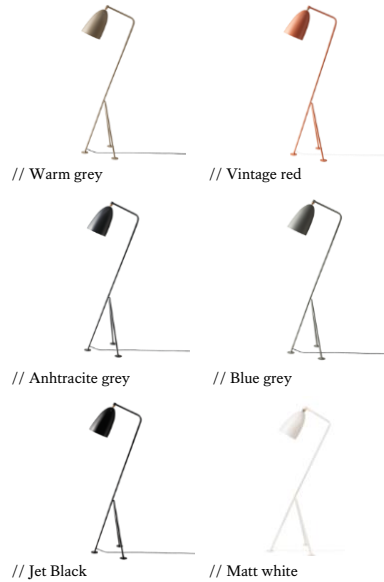


Designed by Greta Grossman

PRODUCT



COLOURS



DESCRIPTION

The iconic Gräshoppa lamp was first produced in 1947. The tubular steel tripod stand is tilted backward whilst the elongated steel conical shade is mounted with a free moving joint in solid brass, consequently the light can be directional, yet the glare is minimal, both stand and shade are powder-coated and are available in 5 colours.

VERSION - GRÄSHOPPA FLOOR LAMP GM1

Colour codes are indicative.

- Fabric wire - Black:
- Warm grey / White inside // RAL 085 60 10 / RAL 9003 // Gloss level 20 / Gloss level 20
- Vintage red / White inside // RAL 3012 / RAL 9003 // Gloss level 20 / Gloss level 20
- Anthracite grey / White inside // RAL 7016 / RAL 9003 // Gloss level 20 / Gloss level 20
- Blue grey / White inside // RAL 160 60 05 / RAL 9003 // Gloss level 20 / Gloss level 20
- Jet Black / White inside // RAL 9005 / RAL 9003 // Gloss level 20 / Gloss level 20

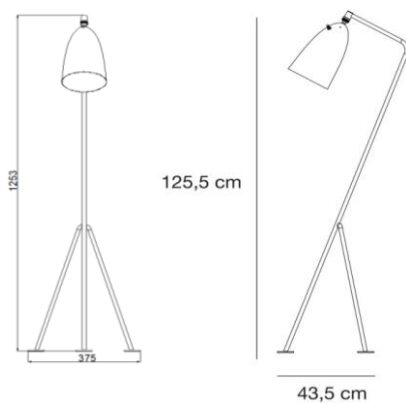
- Fabric wire - White:
- Matt white / White inside // RAL 9003 / RAL 9003 // Gloss level 20 / Gloss level 20

VERSION

Order item - look for part number in the pricelist.

Series contains the following:

GM1, GM2, GM3



FACTS

MATERIAL

Shade: Powder-coated steel
Stand: Brass tube: dia. 0,5 inches
Swivel: Solid brass

MEASUREMENT - *L X W X H inches*

Lamp height: 49,3 inches
Lamp stand: 14,8 X 17 inches
Shade height: 9,2 inches
Shade diameter: dia. 5,9 inches
Cable length, exposed: APP. 84,6 inches
Cable length, total: APP. 128 inches

WEIGHT ITEM - *LAMP INCL. WIRE*

5 lb

PACKAGING TYPE

Cardboard box

PACKAGING MEASUREMENT - *L X W X H inches*

L: 17,3 X W: 17,3 X H: 53,1 inches

WEIGHT PACKAGING - *MATERIAL TYPE (recyclable)*

- Delivery note: 0,35 oz
- LD-EPE foam: 3,2 oz
- PE polybag: 6,7 oz
- Cardboard inside: 2,8 lb
- Cardboard outside, 5ply Corrugated: 10 lb

WEIGHT PACKAGING - *TOTAL*

18,4 lb

NUMBER OF PARCELS

1 pcs.

Designed by Greta Grossman

ACCESSORIES

-

ENVIRONMENT

-

TESTS

-

CERTIFICATION AND LABELS

CUL-CERTIFIED

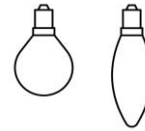
SAFETY INSTRUCTIONS

If the cord or plug is damaged, unplug it from the socket with dry hands. Do not use the lamp until it is repaired by a qualified Electrician.

Instructions document: No. 53-20-002-01

LIGHT SOURCE:

- Socket: E12 base
- Bulb types recommended:



- Recommended light sources: *Halogen light bulb*
- Recommended wattage: 46 W
- Max wattage: 46 W

- All fluorescens light bulbs*
- Recommended wattage: 15 W
- Max wattage: 15 W

- LED retrofit light bulbs*
- Recommended wattage: 7 W
- Max wattage: 9 W

- *Max. light out put for above lamps:*
- 800 Lumens = (60WATT incandescent bulbs)

- All lamps can be fitted with a dimmer -Please contact your local electrician.

- Lightbulb not included
- *US plug: Type A, 2 PIN, 15 amp, (NEMA 1-15)*
- *US voltage: 120 V*
- *Frequency: 60 Hz*
- *Supply voltage: AC power ~*
- *Normally Closed: IP20*



Class II / Double insulated



Mark for Canada and the U.S.



Luminaires accepted for mounting on a flammable base

BULB REPLACEMENT

- Disconnect the power before replacing bulb.

TROUBLESHOOTING

- If lamp does not light, turn off the power. Check the bulb for a broken filament. Replace bulb if necessary, then turn it on.
- If the lamp still does not light, please contact customer service at the local store.
- If the external flexible cable or cord of this lamp is damaged, it must be replaced by a qualified electrician in order to avoid a hazard!

MAINTENANCE

- (Plug power cord prior maintenance)
- To clean, use a soft cloth only.
- Do not use any chemical or abrasive cleaners.

GUBI

Gräshoppa Floor Lamp
005-013xx

GUBI A/S
Høstedsvej 7-9 • Postboks 53
2150 Nordhavn, Copenhagen
Denmark

T +45 3332 6366
CNR 17042884
WWW.GUBI.DK

SAFETY INSTRUCTIONS (REMOVING TO TOP OF PAGE) **ELECTRIC SHOCK, OVERHEATING, BURNING, FIRE!** Lightbulb gets HOT! Do not touch while lit. **CAUTION** This lamp uses three different shades, shades, shades, and any other flammable material. Do not use directly lit lightbulb. Turn off, unplug and allow lamp to cool before replacing bulb, cleaning or other maintenance. Do not use in the bathroom or damp places. **CAUTION TO REDUCE THE RISK OF FIRE, USE MAX. 40 WATT INCANDESCENT, E12, E14, E26, E27, E29, AC ONLY.** Do not exceed maximum wattage. **CAUTION: APPROXIMATE WEIGHT IS 1.5 KG (3.3 LBS).** **PREPARATION:** Shut the power off.

Step 1

1. Unpack lamp.
2. Place on stable ground.

Step 2

3. Plug lamp to mains voltage.
4. Push switch to turn lamp on and off.

53-20-002-01 Mounting and Gräshoppa Floor Lamp

GUBI

GRÄSHOPPA FLOOR LAMP // Designed by Greta Grossman

DK
Tilbede med din Gräshoppa lampe designer af Greta Grossman i 1947. Vi håber du vil blive glad for den.
Eller et ønske til de mange nybegyndere, at lade på skruerne bliver let og har brug for efterspænding. Dette gøres ved at dreje messing endeboksen på kildeløbet mod uret.
Obs: Undlad at rotere skruerne gentagne gange om sin egen akse, da det kan forårsage defekt.

ENG
Congratulations with your Gräshoppa lamp designed by Greta Grossman in 1947. We hope you will enjoy it.
After some time you may find that the joint on the shade will get loose and needs tightening. This can be done by turning the brass nut clockwise.
Caution: Do not rotate the shade repeatedly on its axis, as this might result in malfunctioning.

DE
Gratulation zu Ihrer Gräshoppa Leuchte Erworben 1947 von Greta Grossman. Wir wünschen Ihnen viel Freude damit.
Bitte beachten Sie, dass sich die Verbindung des Leuchten Schirmes im Laufe der Zeit lockern kann und nachgezogen werden muss. Drehen Sie dazu die Messing Mutter im Uhrzeigersinn fest.
Achtung: Bitte drehen Sie den Schirm nicht mehrmals um seine Achse, dies verursacht einen Defekt.